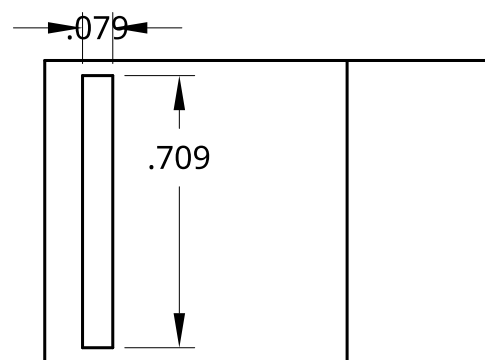
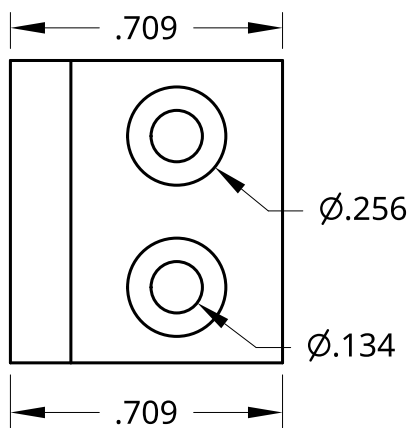
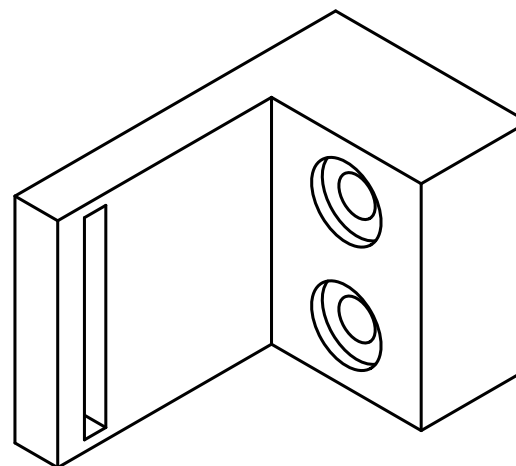
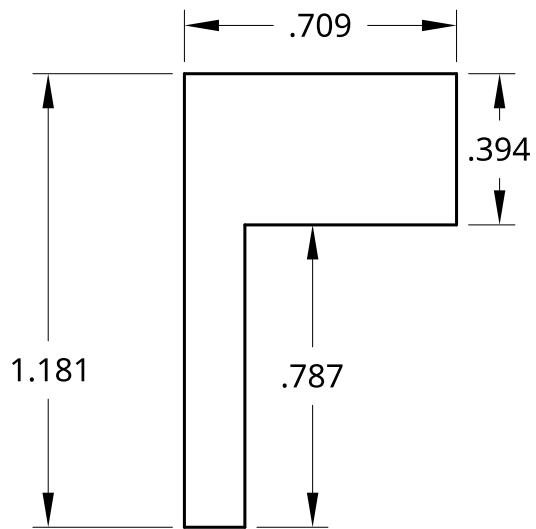


2

1



UNLESS OTHERWISE SPECIFIED, DIMENSIONS ARE IN INCHES

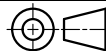
.XX = ±.0-  
.XXX = ±.00-  
.XXXX = ±.000-  
ANGULAR = ± °  
FRACTIONAL = ±

SURFACE FINISH

DO NOT SCALE DRAWING

BREAK ALL SHARP EDGES AND REMOVE BURRS

THIRD ANGLE PROJECTION



NAME DATE

DRAWN DREW BUSCH 02/19/2019

CHECKED

APPROVED

TITLE  
-----  
-----  
-----

SIZE A DWG NO. ----- REV. -

SCALE 2:1 WEIGHT SHEET 1 of 1

2

1

B

B

A

A